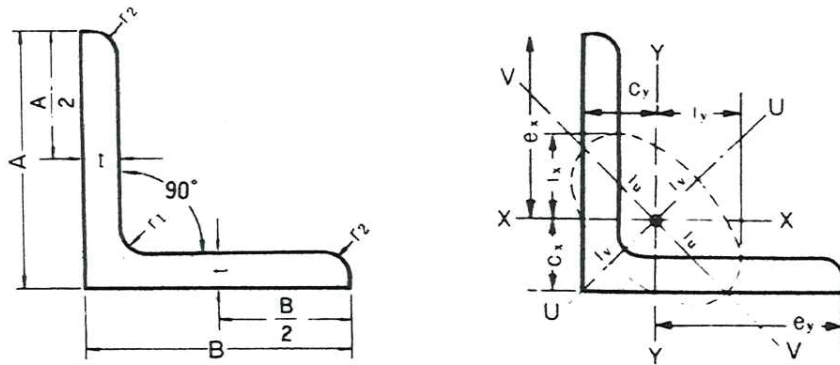


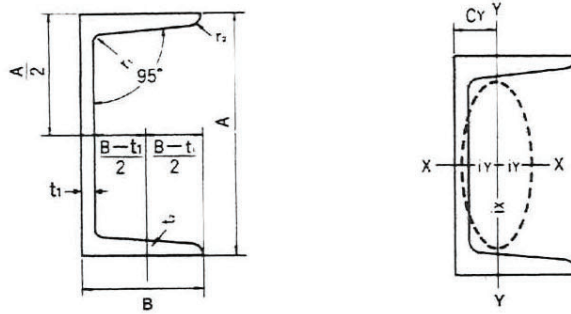
関連製品

等辺山形鋼



| 寸法 (mm) | | | | 断面積 (cm ²) | 単位質量 (kg/m) | 断面二次モーメント (cm ⁴) | | | 断面二次半径 (cm) | | | 断面係数 (cm ³) | 重心 (cm) |
|---------|----|----------------|----------------|------------------------|-------------|------------------------------|-------|------|-------------|------|------|-------------------------|---------|
| A×B | t | r ₁ | r ₂ | | | ix=iy | Iu | Iv | ix=iy | Iu | Iv | | |
| 50×50 | 4 | 6.5 | 3 | 3.892 | 3.06 | 9.06 | 14.4 | 3.74 | 1.53 | 1.92 | 0.98 | 2.49 | 1.37 |
| | 6 | 6.5 | 4.5 | 5.644 | 4.43 | 12.6 | 20.0 | 5.24 | 1.50 | 1.88 | 0.96 | 3.55 | 1.44 |
| 60×60 | 4 | 6.5 | 3 | 4.692 | 3.68 | 16.0 | 25.4 | 6.62 | 1.85 | 2.33 | 1.19 | 3.66 | 1.61 |
| | 5 | 6.5 | 3 | 5.802 | 4.55 | 19.6 | 31.2 | 8.06 | 1.84 | 2.32 | 1.18 | 4.52 | 1.66 |
| 65×65 | 6 | 8.5 | 4 | 7.527 | 5.91 | 29.4 | 46.6 | 12.1 | 1.98 | 2.49 | 1.27 | 6.27 | 1.81 |
| | 8 | 8.5 | 6 | 9.761 | 7.66 | 36.8 | 58.3 | 15.3 | 1.94 | 2.44 | 1.25 | 7.97 | 1.88 |
| 70×70 | 6 | 8.5 | 4 | 8.127 | 6.38 | 37.1 | 58.9 | 15.3 | 2.14 | 2.69 | 1.37 | 7.33 | 1.93 |
| 75×75 | 6 | 8.5 | 4 | 8.727 | 6.85 | 46.1 | 73.2 | 19.0 | 2.30 | 2.90 | 1.48 | 8.47 | 2.06 |
| | 9 | 8.5 | 6 | 12.69 | 9.96 | 64.4 | 102 | 26.7 | 2.25 | 2.84 | 1.45 | 12.1 | 2.17 |
| 80×80 | 12 | 8.5 | 6 | 16.56 | 13.0 | 81.9 | 129 | 34.5 | 2.22 | 2.79 | 1.44 | 15.7 | 2.29 |
| | 6 | 8.5 | 4 | 9.327 | 7.32 | 56.4 | 89.6 | 23.2 | 2.46 | 3.10 | 1.58 | 9.70 | 2.18 |
| 90×90 | 6 | 10 | 5 | 10.55 | 8.28 | 80.7 | 128 | 33.4 | 2.77 | 3.48 | 1.78 | 12.3 | 2.42 |
| | 7 | 10 | 5 | 12.22 | 9.59 | 93.0 | 148 | 38.3 | 2.76 | 3.48 | 1.77 | 14.2 | 2.46 |
| | 10 | 10 | 7 | 17.00 | 13.3 | 125 | 199 | 51.7 | 2.71 | 3.42 | 1.74 | 19.5 | 2.57 |
| | 13 | 10 | 7 | 21.71 | 17.0 | 156 | 248 | 65.3 | 2.68 | 3.38 | 1.73 | 24.8 | 2.69 |
| 100×100 | 7 | 10 | 5 | 13.62 | 10.7 | 129 | 205 | 53.2 | 3.08 | 3.88 | 1.98 | 17.7 | 2.71 |
| | 10 | 10 | 7 | 19.00 | 14.9 | 175 | 278 | 72.0 | 3.04 | 3.83 | 1.95 | 24.4 | 2.82 |
| 120×120 | 13 | 10 | 7 | 24.31 | 19.1 | 220 | 348 | 91.1 | 3.00 | 3.78 | 1.94 | 31.1 | 2.94 |
| | 8 | 12 | 5 | 18.76 | 14.7 | 258 | 410 | 106 | 3.71 | 4.67 | 2.38 | 29.5 | 3.24 |
| 130×130 | 9 | 12 | 6 | 22.74 | 17.9 | 366 | 583 | 150 | 4.01 | 5.06 | 2.57 | 38.7 | 3.53 |
| | 12 | 12 | 8.5 | 29.76 | 23.4 | 467 | 743 | 192 | 3.96 | 5.00 | 2.54 | 49.9 | 3.64 |
| | 15 | 12 | 8.5 | 36.75 | 28.8 | 568 | 902 | 234 | 3.93 | 4.95 | 2.53 | 61.5 | 3.76 |
| 150×150 | 12 | 14 | 7 | 34.77 | 27.3 | 740 | 1,176 | 304 | 4.61 | 5.82 | 2.96 | 68.1 | 4.14 |
| | 15 | 14 | 10 | 42.74 | 33.6 | 888 | 1,410 | 365 | 4.56 | 5.75 | 2.92 | 82.6 | 4.24 |
| | 19 | 14 | 10 | 53.38 | 41.9 | 1,090 | 1,730 | 451 | 4.52 | 5.69 | 2.91 | 103 | 4.40 |

溝形鋼



| 寸法 (mm) | | | | | 断面積 (cm ²) | 単位質量 (kg/m) | 断面二次モーメント (cm ⁴) | | 断面二次半径 (cm) | | 断面係数 (cm ³) | | 重心 (cm) |
|---------|----------------|----------------|----------------|----------------|---------------------------|----------------|---------------------------------|----------------|----------------|----------------|----------------------------|----------------|------------|
| A×B | t ₁ | t ₂ | r ₁ | r ₂ | | | I _x | I _y | i _x | i _y | Z _x | Z _y | |
| 75×40 | 5 | 7 | 8 | 4 | 8.818 | 6.92 | 75.9 | 12.4 | 2.93 | 1.19 | 20.2 | 4.54 | 1.27 |
| 100×50 | 5 | 7.5 | 8 | 4 | 11.92 | 9.36 | 189 | 26.9 | 3.98 | 1.50 | 37.8 | 7.82 | 1.55 |
| 125×65 | 6 | 8 | 8 | 4 | 17.11 | 13.4 | 424 | 61.8 | 4.98 | 1.90 | 67.8 | 13.4 | 1.90 |
| 150×75 | 6.5 | 10 | 10 | 5 | 23.71 | 18.6 | 861 | 117 | 6.03 | 2.22 | 115 | 22.4 | 2.28 |
| 150×75 | 9 | 12.5 | 15 | 7.5 | 30.59 | 24.0 | 1,050 | 147 | 5.86 | 2.19 | 140 | 28.3 | 2.31 |
| 180×75 | 7 | 10.5 | 11 | 5.5 | 27.20 | 21.4 | 1,380 | 131 | 7.12 | 2.19 | 153 | 24.3 | 2.13 |
| 200×80 | 7.5 | 11 | 12 | 6 | 31.33 | 24.6 | 1,950 | 168 | 7.88 | 2.32 | 195 | 29.1 | 2.21 |
| 200×90 | 8 | 13.5 | 14 | 7 | 38.65 | 30.3 | 2,490 | 277 | 8.02 | 2.68 | 249 | 44.2 | 2.74 |
| 250×90 | 9 | 13 | 14 | 7 | 44.07 | 34.6 | 4,180 | 294 | 9.74 | 2.58 | 334 | 44.5 | 2.40 |
| 250×90 | 11 | 14.5 | 17 | 8.5 | 51.17 | 40.2 | 4,680 | 329 | 9.56 | 2.54 | 374 | 49.9 | 2.40 |
| 300×90 | 9 | 13 | 14 | 7 | 48.57 | 38.1 | 6,440 | 309 | 11.5 | 2.52 | 429 | 45.7 | 2.22 |
| 300×90 | 10 | 15.5 | 19 | 9.5 | 55.74 | 43.8 | 7,410 | 360 | 11.5 | 2.54 | 494 | 54.1 | 2.34 |
| 300×90 | 12 | 16 | 19 | 9.5 | 61.90 | 48.6 | 7,870 | 379 | 11.3 | 2.48 | 525 | 56.4 | 2.28 |
| 380×100 | 10.5 | 16 | 18 | 9 | 69.39 | 54.5 | 14,500 | 535 | 14.5 | 2.78 | 763 | 70.5 | 2.41 |
| 380×100 | 13 | 16.5 | 18 | 9 | 78.96 | 62.0 | 15,600 | 565 | 14.1 | 2.67 | 823 | 73.6 | 2.33 |
| 380×100 | 13 | 20 | 24 | 12 | 85.71 | 67.3 | 17,600 | 655 | 14.3 | 2.76 | 926 | 87.8 | 2.54 |

敷鉄板

質量 : kg

| 寸法mm 厚mm | 914×1829 (3'×6') | 1219×2438 (4'×8') | 1524×3048 (5'×10') | 1524×6096 (5'×20') |
|-------------|---------------------|----------------------|-----------------------|-----------------------|
| 19 | 249 | 443 | 693 | 1,386 |
| 22 | 289 | 513 | 802 | 1,604 |
| 25 | 328 | 583 | 911 | 1,823 |

